

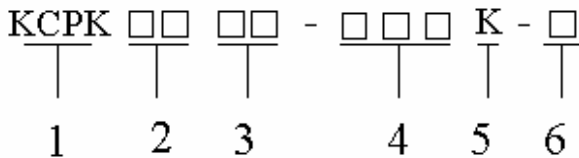
PEAKING INDUCTORS (KCPK TYPE)

KCPK 型固定电感器 (工字型电感)

High-performance ferrite cores that are designed to KCPK type, small radial choke coils which can meet to the inductance value 2.2H.Small size radial type. For high Q and self-resonant frequency. Designed by special lead wire to prevent open circuit failure.

ORDERING CODE 标志示例

1 . Radial Inductor Type



2 . Outside Diameter

3 . Body Length

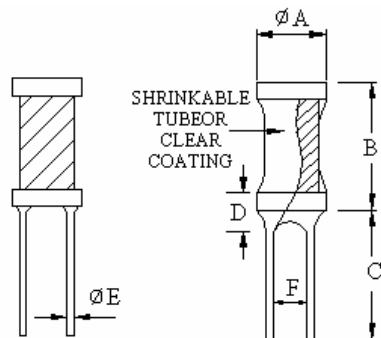
4 . Inductance (uH)

5 . Tolerance (J:5%,K:10%,M:20%)

6 . Coated: P:PVC coated, U:UL tube, E: Epoxy coated

DIMENSIONS (UNIT: mm)

外形尺寸



Part No.	A	B	C	D	E	F
KCPK0406	6+0	8.0+0	15-0	3+0	0.50± 0.05	2.0± 1.5
KCPK0608	7+0	10.0+0	15-0	3+0	0.65± 0.05	2.5± 1.5
KCPK0810	9+0	12.5+0	15-0	3+0	0.65± 0.05	5.0± 1.5
KCPK0912	13+0	14.0+0	15-0	3+0	0.80± 0.05	6.0± 1.5
KCPK1016	13+0	19.0+0	15-0	4+0	0.80± 0.05	6.0± 1.5
KCPK1215	14+0	17.0+0	15-0	4+0	0.80± 0.05	7.5± 1.5
KCPK1415	16+0	18.0+0	15-0	4+0	0.80± 0.05	7.5± 1.5
KCPK1618	20+0	22.0+0	15-0	4.5+0	1.0± 0.05	9.0± 1.5