

## Chip Wire Wound Common-mode Choke Coil

### Feature:

1. The KCWC Series chip wire wound common-mode choke coil has high common-mode impedance, low normal-mode impedance (differential impedance) in miniaturized size.
2. Best high frequency characteristics to resist interference.
3. Excellent solderability and heat resistance.

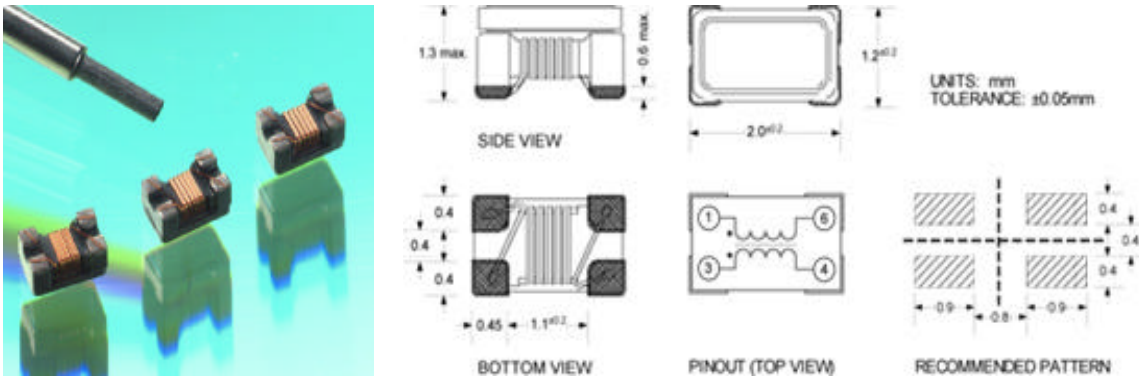
### Application:

Suppression of radiation in signal cables for IEEE1394, USB2.0, LVDS, DVR, digital camera, computer, facsimiles, digital telephone, mobile phone, etc.

### Available type

2012, 3216

### Shape and dimensions

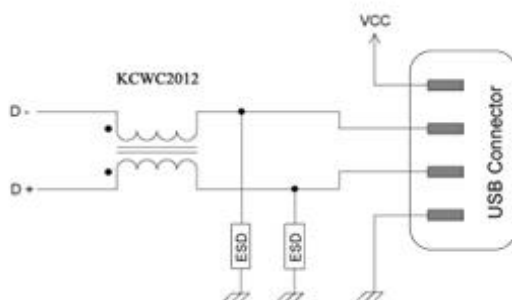


### Electrical specification:

Part Number	Common Mode Impedance (Ω) (Typ.) at 100MHz	Rated Current (mA)	DCR(O)max	Rated Voltage (Vdc)
KCWC2012-900	90	330	0.26	25
KCWC2012-111	110	330	0.30	25
KCWC2012-161	160	330	0.35	25

### Application Examples:

#### USB 2.0



#### IEEE1394

