

KCPIDR Series Power Inductor

Feature

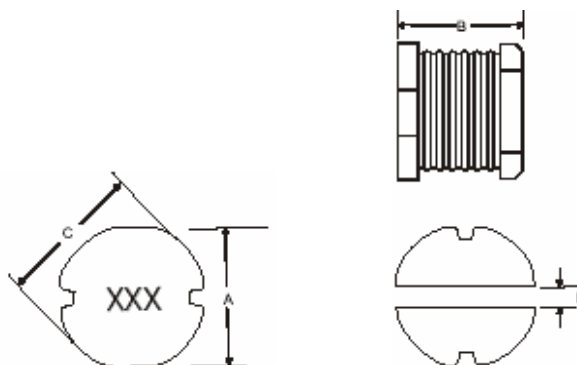
High power high saturation inductors;
Supply various size from 32 to 105

Applications

Power supply for VTR, OA equipment, Digital camera, LCD television set,
Notebook PC, portable communication equipments, DC/DC converters, etc.

Available Type

32、43、52、53、54、73、75、104、105



Shape and Dimensions

Dimensions: mm

TYPE	A	B	C	D(Ref)
KCPIDR32	3.0± 0.3	2.1 ± 0.3	3.5± 0.3	1
KCPIDR43	4.0± 0.3	3.2 ± 0.3	4.5± 0.3	1.4
KCPIDR52	5.2± 0.3	2.1 ± 0.3	5.8± 0.3	1.6
KCPIDR53	5.2 ± 0.3	3.2 ± 0.3	5.8 ± 0.3	1.6
KCPIDR54	5.2± 0.3	4.5 ± 0.3	5.8 ± 0.3	1.6
KCPIDR73	7.0± 0.3	3.5 ± 0.4	7.8 ± 0.3	2.4
KCPIDR75	7.0± 0.3	5.0 ± 0.4	7.8 ± 0.3	2.4
KCPIDR104	9.0 ± 0.3	4.0± 0.5	10.0± 0.3	3.1
KCPIDR105	9.0± 0.3	5.4 ± 0.5	10.0± 0.3	3.1

Identification

KCPI	DR32	100	K	T
1	2	3	4	5

- 1、 Series name
- 2、 Type
- 3、 Inductance (100: 10uH)
- 4、 Tolerance (J: 5%; K:10%; M: 20%)
- 5、 Package (T: Taping B : Bulk)

KCPIDR32 TYPE

P/N	INDUCTANCE (uH)	DCR(O) (max)	IDC(A) (max)	TEST FREQ
KCPIDR32-100KT	10	0.23	0.76	100KHz
KCPIDR32-120KT	12	0.27	0.685	100KHz
KCPIDR32-150KT	15	0.31	0.635	100KHz
KCPIDR32-180KT	18	0.41	0.525	100KHz
KCPIDR32-220KT	22	0.47	0.5	100KHz
KCPIDR32-270KT	27	0.66	0.405	100KHz
KCPIDR32-330KT	33	0.76	0.38	100KHz
KCPIDR32-390KT	39	0.85	0.355	100KHz
KCPIDR32-470KT	47	0.97	0.33	100KHz
KCPIDR32-560KT	56	1.25	0.29	100KHz
KCPIDR32-680KT	68	1.45	0.275	100KHz
KCPIDR32-820KT	82	1.85	0.235	100KHz
KCPIDR32-101KT	100	2.2	0.22	100KHz
KCPIDR32-121KT	120	2.9	0.185	100KHz
KCPIDR32-151KT	150	3.4	0.17	100KHz
KCPIDR32-181KT	180	3.9	0.165	100KHz
KCPIDR32-221KT	220	4.5	0.155	100KHz
KCPIDR32-271KT	270	6	0.135	100KHz
KCPIDR32-331KT	330	7	0.125	100KHz
KCPIDR32-391KT	390	7.8	0.115	100KHz

KCPIDR43 TYPE

KCPIDR43 P/N	INDUCTANCE (uH)	DCR(O) (max)	IDC(A) (max)	TEST FREQ
KCPIDR43-1R0KT	1	0.032	3.801	7.96KHz
KCPIDR43-1R4KT	1.4	0.038	3.3	7.96KHz
KCPIDR43-1R8KT	1.8	0.042	2.91	7.96KHz
KCPIDR43-2R2KT	2.2	0.047	2.6	7.96KHz
KCPIDR43-2R7KT	2.7	0.052	2.43	7.96KHz
KCPIDR43-3R3KT	3.3	0.058	2.15	7.96KHz
KCPIDR43-3R9KT	3.9	0.076	1.98	7.96KHz
KCPIDR43-4R7KT	4.7	0.094	1.7	7.96KHz
KCPIDR43-5R6KT	5.6	0.101	1.6	7.96KHz
KCPIDR43-6R8KT	6.8	0.117	1.4	7.96KHz
KCPIDR43-8R2KT	8.2	0.132	1.26	7.96KHz
KCPIDR43-100KT	10	0.182	1.15	2.52KHz
KCPIDR43-120KT	12	0.21	1.05	2.52KHz
KCPIDR43-150KT	15	0.235	0.92	2.52KHz
KCPIDR43-180KT	18	0.338	0.84	2.52KHz
KCPIDR43-220KT	22	0.378	0.76	2.52KHz
KCPIDR43-270KT	27	0.522	0.71	2.52KHz
KCPIDR43-330KT	33	0.54	0.64	2.52KHz
KCPIDR43-390KT	39	0.587	0.59	2.52KHz
KCPIDR43-470KT	47	0.844	0.54	2.52KHz
KCPIDR43-560KT	56	0.937	0.5	2.52KHz
KCPIDR43-680KT	68	1.17	0.46	2.52KHz
KCPIDR43-820KT	82	1.2	0.48	2.52KHz
KCPIDR43-152KT	1500	15	0.05	1KHz
KCPIDR43-172KT	1700	16	0.04	1KHz

KCPIDR52 TYPE

P/N	INDUCTANCE (μ H)	DCR(O) (max)	IDC(A) (max)	TEST FREQ
KCPIDR52-2R2KT	2.2	0.039	2.16	7.96KHz
KCPIDR52-2R7KT	2.7	0.044	2.08	7.96KHz
KCPIDR52-3R3KT	3.3	0.049	1.9	7.96KHz
KCPIDR52-3R9KT	3.9	0.056	1.84	7.96KHz
KCPIDR52-4R7KT	4.7	0.062	1.6	7.96KHz
KCPIDR52-5R6KT	5.6	0.078	1.44	7.96KHz
KCPIDR52-6R8KT	6.8	0.091	1.36	7.96KHz
KCPIDR52-8R2KT	8.2	0.103	1.12	7.96KHz
KCPIDR52-100KT	10	0.133	1.04	2.52KHz
KCPIDR52-120KT	12	0.148	0.96	2.52KHz
KCPIDR52-150KT	15	0.166	0.88	2.52KHz
KCPIDR52-180KT	18	0.213	0.77	2.52KHz
KCPIDR52-220KT	22	0.248	0.73	2.52KHz
KCPIDR52-270KT	27	0.328	0.64	2.52KHz
KCPIDR52-330KT	33	0.378	0.58	2.52KHz
KCPIDR52-390KT	39	0.438	0.54	2.52KHz
KCPIDR52-470KT	47	0.546	0.49	2.52KHz
KCPIDR52-560KT	56	0.621	0.45	2.52KHz
KCPIDR52-680KT	68	0.715	0.41	2.52KHz
KCPIDR52-820KT	82	1	0.35	2.52KHz
KCPIDR52-101KT	100	1.07	0.35	1.00KHz
KCPIDR52-121KT	120	1.25	0.32	1.00KHz
KCPIDR52-151KT	150	1.66	0.26	1.00KHz
KCPIDR52-181KT	180	1.9	0.23	1.00KHz
KCPIDR52-221KT	220	2.44	0.21	1.00KHz
KCPIDR52-271KT	270	2.73	0.19	1.00KHz

KCPIDR53TYPE

P/N	INDUCTANCE (μ H)	DCR(O) (max)	IDC(A) (max)	TEST FREQ
KCPIDR53-1R0KT	1	0.03	4.5	7.96KHz
KCPIDR53-1R2KT	1.2	0.03	4.2	7.96KHz
KCPIDR53-1R5KT	1.5	0.03	4.1	7.96KHz
KCPIDR53-1R8KT	1.8	0.03	3.7	7.96KHz
KCPIDR53-2R2KT	2.2	0.03	3.5	7.96KHz
KCPIDR53-2R7KT	2.7	0.04	3.2	7.96KHz
KCPIDR53-3R3KT	3.3	0.05	2.8	7.96KHz
KCPIDR53-3R9KT	3.9	0.06	2.6	7.96KHz
KCPIDR53-4R7KT	4.7	0.07	2.5	7.96KHz
KCPIDR53-5R6KT	5.6	0.08	2.4	7.96KHz
KCPIDR53-6R8KT	6.8	0.09	2.2	7.96KHz
KCPIDR53-8R2KT	8.2	0.1	2	7.96KHz
KCPIDR53-100KT	10	0.12	1.8	2.52KHz
KCPIDR53-120KT	12	0.13	1.75	2.52KHz
KCPIDR53-150KT	15	0.15	1.7	2.52KHz
KCPIDR53-180KT	18	0.18	1.6	2.52KHz
KCPIDR53-220KT	22	0.22	1.5	2.52KHz
KCPIDR53-270KT	27	0.24	1.4	2.52KHz
KCPIDR53-330KT	33	0.3	1.1	2.52KHz
KCPIDR53-390KT	39	0.4	1	2.52KHz
KCPIDR53-470KT	47	0.43	0.9	2.52KHz
KCPIDR53-560KT	56	0.5	0.85	2.52KHz
KCPIDR53-680KT	68	0.6	0.8	2.52KHz
KCPIDR53-820KT	82	0.8	0.65	2.52KHz
KCPIDR53-101KT	100	0.9	0.6	1.00KHz
KCPIDR53-121KT	120	1	0.58	1.00KHz

KCPIDR53-151KT	150	1.3	0.43	1.00KHz
KCPIDR53-181KT	180	1.5	0.41	1.00KHz
KCPIDR53-221KT	220	2	0.38	1.00KHz
KCPIDR53-271KT	270	2.5	0.35	1.00KHz
KCPIDR53-331KT	330	3.2	0.28	1.00KHz
KCPIDR53-391KT	390	3.5	0.26	1.00KHz
KCPIDR53-471KT	470	4.2	0.2	1.00KHz
KCPIDR53-561KT	560	4.5	0.19	1.00KHz
KCPIDR53-681KT	680	6	0.18	1.00KHz
KCPIDR53-821KT	820	6.5	0.15	1.00KHz
KCPIDR53-102KT	1000	8	0.13	1.00KHz

KCPIDR54 TYPE

P/N	INDUCTANCE (uH)	DCR(O) (max)	IDC(A) (max)	TEST FREQ
KCPIDR54-1R0KT	1	0.015	5.9	7.96KHz
KCPIDR54-1R2KT	1.2	0.02	5.2	7.96KHz
KCPIDR54-1R5KT	1.5	0.025	4.7	7.96KHz
KCPIDR54-1R8KT	1.8	0.03	4	7.96KHz
KCPIDR54-2R2KT	2.2	0.035	3.8	7.96KHz
KCPIDR54-2R7KT	2.7	0.04	3.4	7.96KHz
KCPIDR54-3R3KT	3.3	0.045	3.3	7.96KHz
KCPIDR54-3R9KT	3.9	0.05	2.9	7.96KHz
KCPIDR54-4R7KT	4.7	0.06	2.8	7.96KHz
KCPIDR54-5R6KT	5.6	0.07	2.4	7.96KHz
KCPIDR54-6R8KT	6.8	0.08	2.1	7.96KHz
KCPIDR54-8R2KT	8.2	0.09	2	7.96KHz
KCPIDR54-100KT	10	0.1	1.44	2.52KHz
KCPIDR54-120KT	12	0.12	1.4	2.52KHz
KCPIDR54-150KT	15	0.14	1.3	2.52KHz
KCPIDR54-180KT	18	0.15	1.23	2.52KHz
KCPIDR54-220KT	22	0.18	1.11	2.52KHz
KCPIDR54-270KT	27	0.2	0.97	2.52KHz
KCPIDR54-330KT	33	0.23	0.88	2.52KHz
KCPIDR54-390KT	39	0.32	0.8	2.52KHz
KCPIDR54-470KT	47	0.37	0.72	2.52KHz
KCPIDR54-560KT	56	0.42	0.68	2.52KHz
KCPIDR54-680KT	68	0.46	0.61	2.52KHz
KCPIDR54-820KT	82	0.6	0.58	2.52KHz
KCPIDR54-101KT	100	0.7	0.52	1.00KHz
KCPIDR54-121KT	120	0.93	0.48	1.00KHz
KCPIDR54-151KT	150	1.1	0.4	1.00KHz
KCPIDR54-181KT	180	1.38	0.38	1.00KHz
KCPIDR54-221KT	220	1.57	0.35	1.00KHz
KCPIDR54-271KT	270	1.65	0.32	1.00KHz
KCPIDR54-331KT	330	1.7	0.28	1.00KHz
KCPIDR54-391KT	390	1.8	0.26	1.00KHz
KCPIDR54-471KT	470	2.3	0.23	1.00KHz
KCPIDR54-561KT	560	2.5	0.2	1.00KHz
KCPIDR54-681KT	680	3	0.19	1.00KHz
KCPIDR54-821KT	820	4.5	0.16	1.00KHz
KCPIDR54-102KT	1000	4.8	0.14	1.00KHz

KCPIDR73 TYPE

P/N	INDUCTANCE (uH)	DCR(O) (max)	IDC(A) (max)	TEST FREQ
KCPIDR73-100KT	10	0.08	1.44	2.52KHz
KCPIDR73-120KT	12	0.09	1.39	2.52KHz
KCPIDR73-150KT	15	0.1	1.24	2.52KHz
KCPIDR73-180KT	18	0.12	1.12	2.52KHz
KCPIDR73-220KT	22	0.13	1.07	2.52KHz
KCPIDR73-270KT	27	0.15	0.94	2.52KHz
KCPIDR73-330KT	33	0.17	0.85	2.52KHz
KCPIDR73-390KT	39	0.22	0.74	2.52KHz
KCPIDR73-470KT	47	0.25	0.68	2.52KHz
KCPIDR73-560KT	56	0.28	0.64	2.52KHz
KCPIDR73-680KT	68	0.33	0.59	2.52KHz
KCPIDR73-820KT	82	0.41	0.54	1.00KHz
KCPIDR73-101KT	100	0.18	0.51	1.00KHz
KCPIDR73-121KT	120	0.54	0.49	1.00KHz
KCPIDR73-151KT	150	0.75	0.4	1.00KHz
KCPIDR73-181KT	180	1.02	0.36	1.00KHz
KCPIDR73-221KT	220	1.2	0.31	1.00KHz
KCPIDR73-271KT	270	1.31	0.29	1.00KHz
KCPIDR73-331KT	330	1.5	0.28	1.00KHz

KCPIDR75 TYPE

P/N	INDUCTANCE (uH)	DCR(O) (max)	IDC(A) (max)	TEST FREQ
KCPIDR75-100KT	10	0.07	2.3	2.52KHz
KCPIDR75-120KT	12	0.08	2	2.52KHz
KCPIDR75-150KT	15	0.09	1.8	2.52KHz
KCPIDR75-180KT	18	0.1	1.6	2.52KHz
KCPIDR75-220KT	22	0.11	1.5	2.52KHz
KCPIDR75-270KT	27	0.12	1.3	2.52KHz
KCPIDR75-330KT	33	0.13	1.2	2.52KHz
KCPIDR75-390KT	39	0.16	1.1	2.52KHz
KCPIDR75-470KT	47	0.18	1.1	2.52KHz
KCPIDR75-560KT	56	0.24	0.94	2.52KHz
KCPIDR75-680KT	68	0.28	0.85	2.52KHz
KCPIDR75-820KT	82	0.37	0.78	2.52KHz
KCPIDR75-101KT	100	0.43	0.72	1.00KHz
KCPIDR75-121KT	120	0.47	0.66	1.00KHz
KCPIDR75-151KT	150	0.64	0.58	1.00KHz
KCPIDR75-181KT	180	0.71	0.51	1.00KHz
KCPIDR75-221KT	220	0.96	0.49	1.00KHz
KCPIDR75-271KT	270	1.11	0.42	1.00KHz
KCPIDR75-331KT	330	1.26	0.4	1.00KHz
KCPIDR75-391KT	390	1.77	0.36	1.00KHz
KCPIDR75-471KT	470	1.96	0.34	1.00KHz