

## KDRH Series Power Inductor

### Feature:

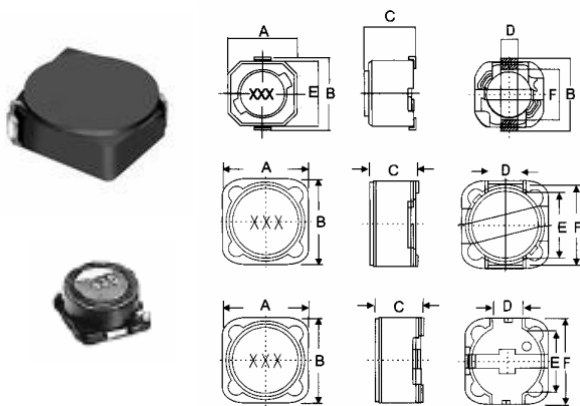
1. Magnetic shielded;
2. High saturation current;
3. Miniaturized size, SMT type, suitable for reflow soldering.

### Application:

Cellular phone; PC HDD; AC-DC Converter; Portable DVD/CD player; PDAs; LCD; etc.

### Available Type:

KDRH2D11 ; KDRH2D18 ; KDRH3D16; KDRH4D18; KDRH4D28; KDRH5D18; KDRH5D28; KDRH6D28; KDRH6D38;  
KDRH73; KDRH74; KDRH103R ; KDRH104; KDRH124; KDRH125; KDRH127



Type	A	B	C	D
KDRH2D11	2.8	2.8	1.2	1.0
KDRH3D16	3.8	3.8	1.8	1.4
KDRH4D18	4.7	4.7	2	1.5
KDRH4D28	4.7	4.7	2.8	1.5
KDRH5D18	5.7	5.7	1.8	2
KDRH5D28	5.7	5.7	2.8	2
KDRH6D28	6.7	6.7	2.8	2
KDRH6D38	6.7	6.7	3.8	2
KDRH7028	7.0	7.0	2.8	2
KDRH73	7.3	7.3	3.5	1.8
KDRH74	7.3	7.3	4.5	3
KDRH104	9.8	9.8	5	5
KDRH124	12	12	4.5	5
KDRH125	12	12	6	5
KDRH127	12	12	8	5

### KDRH3D16 Type

Part No	Inductance	DCR.(Max) (Typ.) (Ω)	Rated D.C. Current(A)
KDRH3D16-1R5N	1.5μ H± 30%	52m (40m)	1.55
KDRH3D16-2R2N	2.2μ H± 30%	72m (55m)	1.20
KDRH3D16-3R3N	3.3μ H± 30%	85m (65m)	1.10
KDRH3D16-4R7N	4.7μ H± 30%	105m (80m)	0.90
KDRH3D16-6R8N	6.8μ H± 30%	170m (130m)	0.73
KDRH3D16-100N	10μ H± 30%	210m (160m)	0.55
KDRH3D16-150N	15μ H± 30%	295m (225m)	0.45
KDRH3D16-220N	22μ H± 30%	430m (330m)	0.40
KDRH3D16-330N	33μ H± 30%	675m (520m)	0.32

### KDRH4D18

Part No.	Inductance	D.C.R.(Max) (Typ.) (Ω)	Rated D.C. Current (A)
KDRH4D18-1R0N	1.0μ H± 30%	45m (35m)	1.72
KDRH4D18-2R2N	2.2μ H± 30%	75m (58m)	1.32
KDRH4D18-2R7N	2.7μ H± 30%	105m (80m)	1.28
KDRH4D18-3R3N	3.3μ H± 30%	110m (85m)	1.04
KDRH4D18-3R9N	3.9μ H± 30%	155m (120m)	0.88
KDRH4D18-4R7N	4.7μ H± 30%	162m (125m)	0.84
KDRH4D18-5R6N	5.6μ H± 30%	170m (130m)	0.80
KDRH4D18-6R8N	6.8μ H± 30%	200m (155m)	0.76
KDRH4D18-8R2N	8.2μ H± 30%	245m (190m)	0.68
KDRH4D18-100N	10μ H± 30%	0.200 (0.148)	0.61
KDRH4D18-120N	12μ H± 30%	0.210 (0.156)	0.56
KDRH4D18-150N	15μ H± 30%	0.240 (0.178)	0.50
KDRH4D18-180N	18μ H± 30%	0.338 (0.250)	0.48
KDRH4D18-220N	22μ H± 30%	0.397 (0.294)	0.41
KDRH4D18-270N	27μ H± 30%	0.441 (0.327)	0.35
KDRH4D18-330N	33μ H± 30%	0.694 (0.514)	0.32

**KDRH4D28 Type**

Part No.	Inductance	D.C.R.(Max) (Typ.) (O)	Rated D.C. Current(A)
KDRH4D28-1R2N	1.2μ H± 30%	23.6m (17.5m)	2.56
KDRH4D28-1R8N	1.8μ H± 30%	27.5m (20.4m)	2.20
KDRH4D28-2R2N	2.2μ H± 30%	31.3m (23.2m)	2.04
KDRH4D28-2R7N	2.7μ H± 30%	43.3m (32.1m)	1.60
KDRH4D28-3R3N	3.3μ H± 30%	49.2m (36.4m)	1.57
KDRH4D28-3R9N	3.9μ H± 30%	64.8m (48.0m)	1.44
KDRH4D28-4R7N	4.7μ H± 30%	72.0m (56.3m)	1.32
KDRH4D28-5R6N	5.6μ H± 30%	100.9m (74.7m)	1.17
KDRH4D28-6R8N	6.8μ H± 30%	108.9m (80.7m)	1.12
KDRH4D28-8R2N	8.2μ H± 30%	117.5m (87.0m)	1.04
KDRH4D28-100N	10μ H± 30%	128.3m (95.0m)	1.00
KDRH4D28-120N	12μ H± 30%	131.6m (97.5m)	0.84
KDRH4D28-150N	15μ H± 30%	149.0m (110.4m)	0.76
KDRH4D28-180N	18μ H± 30%	166.0m (123.0m)	0.72
KDRH4D28-220N	22μ H± 30%	235.0m (174.5m)	0.70
KDRH4D28-270N	27μ H± 30%	261.0m (193.3m)	0.58
KDRH4D28-330N	33μ H± 30%	378.0m (280.0m)	0.56
KDRH4D28-390N	39μ H± 30%	383.7m (284.2m)	0.50
KDRH4D28-470N	47μ H± 30%	587.0m (435.0m)	0.48
KDRH4D28-560N	56μ H± 30%	624.5m (462.6m)	0.41
KDRH4D28-680N	68μ H± 30%	699.0m (517.8m)	0.35
KDRH4D28-820N	82μ H± 30%	914.8m (677.6m)	0.32
KDRH4D28-101N	100μ H± 30%	1.02 (765.8m)	0.29
KDRH4D28-121N	120μ H± 30%	1.27 (976.8m)	0.27
KDRH4D28-151N	150μ H± 30%	1.35 (1.08)	0.24
KDRH4D28-181N	180μ H± 30%	1.54 (1.23)	0.22

**KDRH5D18 Type**

Part No.	Inductance	D.C.R.(Max) (Typ.) (O)	Rated D.C. Current(A)
KDRH5D18-4R1N	4.1μ H± 30%	57m (42m)	1.95
KDRH5D18-5R4N	5.4μ H± 30%	76m (56m)	1.60
KDRH5D18-6R2N	6.2μ H± 30%	96m (71m)	1.40
KDRH5D18-8R9N	8.9μ H± 30%	116m (86m)	1.25
KDRH5D18-100N	10μ H± 30%	0.124 (92m)	1.20
KDRH5D18-120N	12μ H± 30%	0.153 (0.113)	1.10
KDRH5D18-150N	15μ H± 30%	0.196 (0.145)	0.97
KDRH5D18-180N	18μ H± 30%	0.210 (0.155)	0.85
KDRH5D18-220N	22μ H± 30%	0.290 (0.215)	0.80
KDRH5D18-270N	27μ H± 30%	0.330 (0.245)	0.75
KDRH5D18-330N	33μ H± 30%	0.386 (0.285)	0.65
KDRH5D18-390N	39μ H± 30%	0.520 (0.385)	0.57
KDRH5D18-470N	47μ H± 30%	0.595 (0.440)	0.54
KDRH5D18-560N	56μ H± 30%	0.665 (0.492)	0.50
KDRH5D18-680N	68μ H± 30%	0.840 (0.622)	0.43
KDRH5D18-820N	82μ H± 30%	0.978 (0.725)	0.41
KDRH5D18-101N	100μ H± 30%	1.200 (0.895)	0.36

**KDRH5D28 Type**

Part No.	Inductance	D.C.R.(Max) (Typ.) (O)	Rated D.C. Current(A)
KDRH5D28-2R6N	2.6 $\mu$ H $\pm$ 30%	18m (13m)	2.60
KDRH5D28-3R0N	3.0 $\mu$ H $\pm$ 30%	24m (18m)	2.40
KDRH5D28-4R2N	4.2 $\mu$ H $\pm$ 30%	31m (23m)	2.20
KDRH5D28-5R3N	5.3 $\mu$ H $\pm$ 30%	38m (28m)	1.90
KDRH5D28-6R2N	6.2 $\mu$ H $\pm$ 30%	45m (33m)	1.80
KDRH5D28-8R2N	8.2 $\mu$ H $\pm$ 30%	53m (39m)	1.60
KDRH5D28-100N	10 $\mu$ H $\pm$ 30%	65m (48m)	1.30
KDRH5D28-120N	12 $\mu$ H $\pm$ 30%	76m (56m)	1.20
KDRH5D28-150N	15 $\mu$ H $\pm$ 30%	0.103m (76m)	1.10
KDRH5D28-180N	18 $\mu$ H $\pm$ 30%	0.110 (82m)	1.00
KDRH5D28-220N	22 $\mu$ H $\pm$ 30%	0.122 (90m)	0.90
KDRH5D28-270N	27 $\mu$ H $\pm$ 30%	0.175 (0.130)	0.85
KDRH5D28-330N	33 $\mu$ H $\pm$ 30%	0.189 (0.140)	0.75
KDRH5D28-390N	39 $\mu$ H $\pm$ 30%	0.212 (0.157)	0.70
KDRH5D28-470N	47 $\mu$ H $\pm$ 30%	0.260 (0.185)	0.62
KDRH5D28-560N	56 $\mu$ H $\pm$ 30%	0.305 (0.226)	0.58
KDRH5D28-680N	68 $\mu$ H $\pm$ 30%	0.355 (0.263)	0.52
KDRH5D28-820N	82 $\mu$ H $\pm$ 30%	0.463 (0.343)	0.46
KDRH5D28-101N	100 $\mu$ H $\pm$ 30%	0.520 (0.385)	0.42

**KDRH6D28 Type**

Part No.	Inductance	D.C.R.(Max) (Typ.) (O)	Rated D.C. Current(A)
KDRH6D28-3R0N	3.0 $\mu$ H $\pm$ 30%	24m (18m)	3.00
KDRH6D28-3R9N	3.9 $\mu$ H $\pm$ 30%	27m (20m)	2.60
KDRH6D28-5R0N	5.0 $\mu$ H $\pm$ 30%	31m (23m)	2.40
KDRH6D28-6R0N	6.0 $\mu$ H $\pm$ 30%	35m (26m)	2.25
KDRH6D28-7R3N	7.3 $\mu$ H $\pm$ 30%	54m (40m)	2.10
KDRH6D28-8R6N	8.6 $\mu$ H $\pm$ 30%	58m (43m)	1.85
KDRH6D28-100N	10 $\mu$ H $\pm$ 30%	65m (48m)	1.70
KDRH6D28-120N	12 $\mu$ H $\pm$ 30%	70m (52m)	1.55
KDRH6D28-150N	15 $\mu$ H $\pm$ 30%	84m (62m)	1.40
KDRH6D28-180N	18 $\mu$ H $\pm$ 30%	95m (70m)	1.32
KDRH6D28-220N	22 $\mu$ H $\pm$ 30%	0.128 (95m)	1.20
KDRH6D28-270N	27 $\mu$ H $\pm$ 30%	0.142 (0.105)	1.05
KDRH6D28-330N	33 $\mu$ H $\pm$ 30%	0.165 (0.122)	0.97
KDRH6D28-390N	39 $\mu$ H $\pm$ 30%	0.210 (0.156)	0.86
KDRH6D28-470N	47 $\mu$ H $\pm$ 30%	0.238 (0.176)	0.80
KDRH6D28-560N	56 $\mu$ H $\pm$ 30%	0.277 (0.205)	0.73
KDRH6D28-680N	68 $\mu$ H $\pm$ 30%	0.304 (0.225)	0.65
KDRH6D28-820N	82 $\mu$ H $\pm$ 30%	0.390 (0.290)	0.60
KDRH6D28-101N	100 $\mu$ H $\pm$ 30%	0.535 (0.397)	0.54

### KDRH6D38 Type

Part No.	Inductance	D.C.R.(Max) (Typ.) (Ω)	Rated D.C. Current(A)
KDRH6D38-3R3N	3.3μ H± 30%	20m (15m)	3.50
KDRH6D38-5R0N	5.0μ H± 30%	24m (18m)	2.90
KDRH6D38-6R2N	6.2μ H± 30%	27m (20m)	2.50
KDRH6D38-7R4N	7.4μ H± 30%	31m (23m)	2.30
KDRH6D38-8R7N	8.7μ H± 30%	34m (25m)	2.20
KDRH6D38-100N	10μ H± 30%	38m (28m)	2.00
KDRH6D38-120N	12μ H± 30%	53m (39m)	1.70
KDRH6D38-150N	15μ H± 30%	57m (42m)	1.60
KDRH6D38-180N	18μ H± 30%	92m (68m)	1.50
KDRH6D38-220N	22μ H± 30%	96m (71m)	1.30
KDRH6D38-270N	27μ H± 30%	0.109 (81m)	1.20
KDRH6D38-330N	33μ H± 30%	0.124 (92m)	1.10
KDRH6D38-390N	39μ H± 30%	0.138 (0.120)	1.00
KDRH6D38-470N	47μ H± 30%	0.155 (0.115)	0.95
KDRH6D38-560N	56μ H± 30%	0.202 (0.150)	0.85
KDRH6D38-680N	68μ H± 30%	0.234 (0.173)	0.75
KDRH6D38-820N	82μ H± 30%	0.324 (0.240)	0.70
KDRH6D38-101N	100μ H± 30%	0.358 (0.285)	0.65

### KDRH73 Type

Part No.	Inductance	D.C.R.(Max) (Typ.) (Ω)	Rated D.C. Current(A)
KDRH73-100M	10μ H± 20%	72m (55m)	1.68
KDRH73-120M	12μ H± 20%	98m (75m)	1.52
KDRH73-150M	15μ H± 20%	0.13 (96m)	1.33
KDRH73-180M	18μ H± 20%	0.14 (0.11)	1.20
KDRH73-220M	22μ H± 20%	0.19 (0.15)	1.07
KDRH73-270M	27μ H± 20%	0.21 (0.16)	0.96
KDRH73-330M	33μ H± 20%	0.24 (0.18)	0.91
KDRH73-390M	39μ H± 20%	0.32 (0.25)	0.77
KDRH73-470M	47μ H± 20%	0.36 (0.28)	0.76
KDRH73-560M	56μ H± 20%	0.47 (0.36)	0.68
KDRH73-680M	68μ H± 20%	0.52 (0.40)	0.61
KDRH73-820M	82μ H± 20%	0.69 (0.53)	0.57
KDRH73-101M	100μ H± 20%	0.79 (0.61)	0.50
KDRH73-121M	120μ H± 20%	0.89 (0.69)	0.49
KDRH73-151M	150μ H± 20%	1.27 (1.02)	0.43
KDRH73-181M	180μ H± 20%	1.45 (1.16)	0.39
KDRH73-221M	220μ H± 20%	1.65 (1.32)	0.35
KDRH73-271M	270μ H± 20%	2.31 (1.85)	0.32
KDRH73-331M	330μ H± 20%	2.62 (2.10)	0.28
KDRH73-391M	390μ H± 20%	2.94 (2.35)	0.26
KDRH73-471M	470μ H± 20%	4.18 (3.35)	0.24
KDRH73-561M	560μ H± 20%	4.67 (3.73)	0.22
KDRH73-681M	680μ H± 20%	5.73 (4.58)	0.19
KDRH73-821M	820μ H± 20%	6.54 (5.23)	0.18
KDRH73-102M	1000μ H± 20%	9.44 (7.55)	0.16

**KDRH74 Type**

Part No.	Inductance	D.C.R.(Max) (Typ.) (Ω)	Rated D.C. Current(A)
KDRH74-100M	10μ H± 20%	49m (38m)	1.84
KDRH74-120M	12μ H± 20%	58m (44m)	1.71
KDRH74-150M	15μ H± 20%	81m (62m)	1.47
KDRH74-180M	18μ H± 20%	91m (70m)	1.31
KDRH74-220M	22μ H±20%	0.11 (77m)	1.23
KDRH74-270M	27μ H± 20%	0.15 (0.12)	1.12
KDRH74-330M	33μ H± 20%	0.17 (0.13)	0.96
KDRH74-390M	39μ H± 20%	0.23 (0.18)	0.91
KDRH74-470M	47μ H± 20%	0.26 (0.20)	0.88
KDRH74-560M	56μ H± 20%	0.35 (0.27)	0.75
KDRH74-680M	68μ H± 20%	0.38 (0.30)	0.69
KDRH74-820M	82μ H± 20%	0.43 (0.33)	0.61
KDRH74-101M	100μ H± 20%	0.61 (0.47)	0.60
KDRH74-121M	120μ H± 20%	0.66 (0.51)	0.52
KDRH74-151M	150μ H± 20%	0.88 (0.68)	0.46
KDRH74-181M	180μ H± 20%	0.98 (0.76)	0.42
KDRH74-221M	220μ H± 20%	1.17 (0.90)	0.36
KDRH74-271M	270μ H±20%	1.64 (1.32)	0.34
KDRH74-331M	330μ H± 20%	1.86 (1.49)	0.32
KDRH74-391M	390μ H± 20%	2.85 (2.28)	0.29
KDRH74-471M	470μ H± 20%	3.01 (2.41)	0.26
KDRH74-561M	560μ H± 20%	3.62 (2.89)	0.23
KDRH74-681M	680μ H± 20%	4.63 (3.71)	0.22
KDRH74-821M	820μ H± 20%	5.20 (4.16)	0.20
KDRH74-102M	1000μ H± 20%	6.00 (4.80)	0.18

**KDRH104R Type**

Part No.	Inductance	D.C.R.(Max) (Typ.) (Ω)	Rated D.C. Current(A)
KDRH104R-1R3N	1.3μ H± 30%	8.1m (60m)	10.00
KDRH104R-2R5N	2.5μ H± 30%	10m (7.8m)	7.50
KDRH104R-3R8N	3.8μ H± 30%	13m (9.6m)	6.00
KDRH104R-5R2N	5.2μ H± 30%	22m (16m)	5.50
KDRH104R-7R0N	7.0μ H± 30%	27m (20m)	4.80
KDRH104R-100N	10μ H± 30%	35m (26m)	4.40
KDRH104R-150N	15μ H± 30%	50m (37m)	3.60
KDRH104R-220N	22μ H± 30%	73m (54m)	2.90
KDRH104R-330N	33μ H± 30%	93m (69m)	2.30
KDRH104R-470N	47μ H± 30%	128m (95m)	2.10
KDRH104R-680N	68μ H± 30%	213m (158m)	1.50
KDRH104R-101N	100μ H± 30%	304m (225m)	1.35
KDRH104R-151N	150μ H± 30%	506m (375m)	1.15
KDRH104R-221N	220μ H± 30%	756m (560m)	0.92
KDRH104R-331N	330μ H± 30%	1.09m (810m)	0.70

### KDRH124 Type

Part No.	Inductance	D.C.R.(Max) (Typ.) (Ω)	Rated D.C. Current(A)
KDRH124-3R9M	3.9μ H± 20%	15m	6.50
KDRH124-4R7M	4.7μ H± 20%	18m	5.70
KDRH124-6R8M	6.8μ H± 20%	23m	4.90
KDRH124-8R2M	8.2μ H± 20%	26m	4.60
KDRH124-100M	10μ H± 20%	28m	4.50
KDRH124-120M	12μ H± 20%	38m	4.00
KDRH124-150M	15μ H± 20%	50m	3.20
KDRH124-180M	18μ H± 20%	57m	3.10
KDRH124-220M	22μ H± 20%	66m	2.90
KDRH124-270M	27μ H± 20%	80m	2.80
KDRH124-330M	33μ H± 20%	97m	2.70
KDRH124-390M	39μ H± 20%	0.132	2.10
KDRH124-470M	47μ H± 20%	0.150	1.90
KDRH124-560M	56μ H± 20%	0.190	1.80
KDRH124-680M	68μ H± 20%	0.220	1.50
KDRH124-820M	82μ H± 20%	0.260	1.30
KDRH124-101M	100μ H± 20%	0.308	1.20
KDRH124-121M	120μ H± 20%	0.380	1.10
KDRH124-151M	150μ H± 20%	0.530	0.95
KDRH124-181M	180μ H± 20%	0.620	0.85
KDRH124-221M	220μ H± 20%	0.700	0.80
KDRH124-271M	270μ H± 20%	0.876	0.60
KDRH124-331M	330μ H± 20%	0.990	0.50

### KDRH125 Type

Part No.	Inductance	D.C.R.(Max) (Typ.) (Ω)	Rated D.C. Current(A)
KDRH125-1R3N	1.3μ H± 30%	12.0m (9.0m)	8.00
KDRH125-2R1N	2.1μ H± 30%	14.0m (11.0m)	7.00
KDRH125-3R1N	3.1μ H± 30%	17.0m (13.0m)	6.00
KDRH125-4R4N	4.4μ H± 30%	20.0m (16.0m)	5.00
KDRH125-5R8N	5.8μ H± 30%	21.0m (17.0m)	4.40
KDRH125-7R5N	7.5μ H± 30%	24.0m (19.0m)	4.20
KDRH125-7R6N	7.6μ H± 30%	26.5m (20.4m)	4.50
KDRH125-100M	10μ H± 20%	25.0m (19.0m)	4.00
KDRH125-120M	12μ H± 20%	27.0m (21.0m)	3.50
KDRH125-150M	15μ H± 20%	30.0m (23.0m)	3.30
KDRH125-180M	18μ H± 20%	34.0m (26.0m)	3.00
KDRH125-220M	22μ H± 20%	36.0m (28.0m)	2.80
KDRH125-270M	27μ H± 20%	51.0m (39.0m)	2.30
KDRH125-330M	33μ H± 20%	57.0m (44.0m)	2.10
KDRH125-390M	39μ H± 20%	68.0m (52.0m)	2.00
KDRH125-470M	47μ H± 20%	75.0m (58.0m)	1.80
KDRH125-560M	56μ H± 20%	0.11 (84.0m)	1.70
KDRH125-680M	68μ H± 20%	0.12 (93.0m)	1.50
KDRH125-820M	82μ H± 20%	0.14 (0.11)	1.40
KDRH125-101M	100μ H± 20%	0.16 (0.12)	1.30
KDRH125-121M	120μ H± 20%	0.17 (0.13)	1.10
KDRH125-151M	150μ H± 20%	0.23 (0.18)	1.00
KDRH125-181M	180μ H± 20%	0.29 (0.22)	0.90
KDRH125-221M	220μ H± 20%	0.40 (0.31)	0.80
KDRH125-271M	270μ H± 20%	0.46 (0.35)	0.75
KDRH125-331M	330μ H± 20%	0.51 (0.39)	0.68
KDRH125-391M	390μ H± 20%	0.69 (0.53)	0.65
KDRH125-471M	470μ H± 20%	0.77 (0.59)	0.58
KDRH125-561M	560μ H± 20%	0.86 (0.66)	0.54
KDRH125-681M	680μ H± 20%	1.20 (0.92)	0.48
KDRH125-821M	820μ H± 20%	1.34 (1.03)	0.43
KDRH125-102M	1000μ H± 20%	1.53 (1.18)	0.40

**KDRH127 Type**

Part No.	Inductance	D.C.R.(Max) (Typ.) (Ω)	Rated D.C. Current(A)
KDRH127-1R2N	1.2μ H± 30%	7.0m (5.2m)	9.80
KDRH127-2R4N	2.4μ H± 30%	11.5m (8.5m)	8.00
KDRH127-3R5N	3.5μ H± 30%	13.5m (10.0m)	7.50
KDRH127-4R7N	4.7μ H± 30%	15.8m (11.7m)	6.80
KDRH127-6R1N	6.1μ H± 30%	17.6m (13.0m)	6.60
KDRH127-7R6N	7.6μ H± 30%	20.0m (15.0m)	5.90
KDRH127-100M	10μ H± 20%	21.6m (16.0m)	5.40
KDRH127-120M	12μ H± 20%	24.3m (18.0m)	4.90
KDRH127-150M	15μ H± 20%	27.0m (20.0m)	4.50
KDRH127-180M	18μ H± 20%	39.2m (29.0m)	3.90
KDRH127-220M	22μ H± 20%	43.2m (32.0m)	3.60
KDRH127-270M	27μ H± 20%	45.9m (34.0m)	3.40
KDRH127-330M	33μ H± 20%	64.8m (48.0m)	3.00
KDRH127-390M	39μ H± 20%	72.9m (54.0m)	2.75
KDRH127-470M	47μ H± 20%	0.10 (76.0m)	2.50
KDRH127-560M	56μ H± 20%	0.11 (83.0m)	2.35
KDRH127-680M	68μ H± 20%	0.14 (0.10)	2.10
KDRH127-820M	82μ H± 20%	0.16 (0.12)	1.95
KDRH127-101M	100μ H± 20%	0.22 (0.17)	1.70
KDRH127-121M	120μ H± 20%	0.25 (0.18)	1.60
KDRH127-151M	150μ H± 20%	0.28 (0.21)	1.42
KDRH127-181M	180μ H± 20%	0.35 (0.26)	1.30
KDRH127-221M	220μ H± 20%	0.39 (0.29)	1.16
KDRH127-271M	270μ H± 20%	0.56 (0.42)	1.06
KDRH127-331M	330μ H± 20%	0.64 (0.47)	0.95
KDRH127-391M	390μ H± 20%	0.70 (0.52)	0.88
KDRH127-471M	470μ H± 20%	0.98 (0.73)	0.79
KDRH127-561M	560μ H± 20%	1.07 (0.79)	0.73
KDRH127-681M	680μ H± 20%	1.46 (1.12)	0.67
KDRH127-821M	820μ H± 20%	1.64 (1.26)	0.60
KDRH127-102M	1000μ H± 20%	1.82 (1.40)	0.55