

KCPIRI Series Power Inductor

Feature

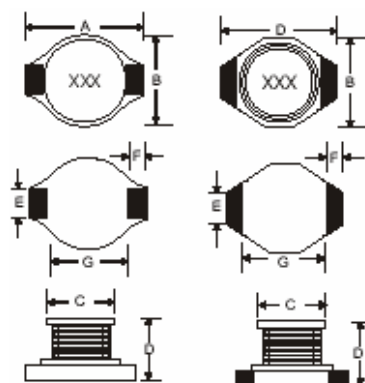
Easy surface mounting with high performance.
Good ideal for DC-DC conversion.

Applications

VGA display card; Notebook Computers; PDA; Step-up and Step-down converters; Flash memory, etc.

Available Type

0401; 0402; 0802; 0804; 0810; 1206.



Shape and dimensions

Dimensions: mm

TYPE	A(MAX)	B(MAX)	C	D(MAX)	E	F
KCPIRI0401	6.4	5.5	4.00± 0.3	1.8	1.80± 0.3	0.80± 0.3
KCPIRI0402	6.6	4.45	3.94± 0.3	2.92	1.27± 0.3	1.02± 0.3
KCPIRI0402C	6.6	4.45	4.06± 0.3	2.92	1.27± 0.3	1.02± 0.3
KCPIRI0802	12.95	9.4	8.38± 0.3	3	2.54± 0.3	2.54± 0.3
KCPIRI0804	12.95	9.4	8.38± 0.3	5.21	2.54± 0.3	2.54± 0.3
KCPIRI0804C	12.95	9.4	8.38± 0.3	5.08	2.54± 0.3	2.54± 0.3
KCPIRI0810	12.95	9.4	8.38± 0.3	11.43	2.54± 0.3	2.54± 0.3
KCPIRI1206	18.54	15.24	12.70± 0.3	7.11	2.54± 0.3	2.54± 0.3
KCPIRI1206C	18.54	15.24	12.70± 0.3	7.62	2.54± 0.3	2.54± 0.3

Identification

KCPI	RI0402	100	K	T
1	2	3	4	5

- Series name
- Type
- Inductance(100: 10uH)
- Tolerance(J:5%; K:10%; M: 20%)
- Package(T: taping; B: bulk)

KCPIRI0401 TYPE

P/N	INDUCTANCE (uH)	DCR(O) (max)	IDC(A) (max)	TEST FREQ
KCPIRI0401-1R5MT	1.5	0.06	2.20	100KHz
KCPIRI0401-2R2MT	2.2	0.07	1.80	100KHz
KCPIRI0401-3R3MT	3.3	0.10	1.40	100KHz
KCPIRI0401-4R7MT	4.7	0.12	1.20	100KHz
KCPIRI0401-6R8MT	6.8	0.19	1.10	100KHz
KCPIRI0401-100MT	10	0.30	1.00	100KHz
KCPIRI0401-150MT	15	0.40	0.80	100KHz
KCPIRI0401-220MT	22	0.54	0.60	100KHz
KCPIRI0401-330MT	33	0.74	0.50	100KHz
KCPIRI0401-470MT	47	1.10	0.45	100KHz
KCPIRI0401-680MT	68	1.60	0.35	100KHz
KCPIRI0401-101MT	100	2.30	0.30	100KHz
KCPIRI0401-151MT	150	3.20	0.25	100KHz
KCPIRI0401-221MT	220	5.70	0.20	100KHz
KCPIRI0401-331MT	330	8.20	0.16	100KHz
KCPIRI0401-471MT	470	10.80	0.14	100KHz
KCPIRI0401-681MT	680	17.20	0.12	100KHz
KCPIRI0401-102MT	1000	22.60	0.08	100KHz

KCPIRI0402 TYPE

P/N	INDUCTANCE (uH)	DCR(O) (max)	IDC(A) (max)	TEST FREQ
KCPIRI0402-1R0MT	1.0	0.05	2.90	100KHz
KCPIRI0402-1R5MT	1.5	0.05	2.60	100KHz
KCPIRI0402-2R2MT	2.2	0.07	2.30	100KHz
KCPIRI0402-3R3MT	3.3	0.08	2.00	100KHz
KCPIRI0402-4R7MT	4.7	0.09	1.50	100KHz
KCPIRI0402-6R8MT	6.8	0.13	1.20	100KHz
KCPIRI0402-100MT	10	0.16	1.10	100KHz
KCPIRI0402-150MT	15	0.23	0.90	100KHz
KCPIRI0402-220MT	22	0.37	0.70	100KHz
KCPIRI0402-330MT	33	0.51	0.58	100KHz
KCPIRI0402-470MT	47	0.64	0.50	100KHz
KCPIRI0402-680MT	68	0.86	0.40	100KHz
KCPIRI0402-101MT	100	1.27	0.31	100KHz
KCPIRI0402-151MT	150	2.00	0.27	100KHz
KCPIRI0402-221MT	220	2.65	0.22	100KHz
KCPIRI0402-331MT	330	3.80	0.18	100KHz
KCPIRI0402-471MT	470	5.06	0.16	100KHz
KCPIRI0402-681MT	680	9.20	0.14	100KHz
KCPIRI0402-102MT	1000	13.80	0.10	100KHz

KCPIRI0402C TYPE

P/N	INDUCTANCE (uH)	Q (min)	DCR(O) (max)	IDC(A) (max)	TEST FREQ
KCPIRI0402C-1R0MT	1.0	30	0.040	3.00	100KHz
KCPIRI0402C-1R5MT	1.5	30	0.045	2.80	100KHz
KCPIRI0402C-2R2MT	2.2	40	0.050	1.80	100KHz
KCPIRI0402C-3R3MT	3.3	40	0.055	1.60	100KHz
KCPIRI0402C-4R7MT	4.7	40	0.060	1.40	100KHz
KCPIRI0402C-6R8MT	6.8	40	0.065	1.20	100KHz
KCPIRI0402C-100MT	10	40	0.075	1.00	100KHz
KCPIRI0402C-150MT	15	40	0.090	0.80	100KHz
KCPIRI0402C-220MT	22	40	0.110	0.70	100KHz
KCPIRI0402C-330MT	33	40	0.190	0.60	100KHz
KCPIRI0402C-470MT	47	40	0.230	0.50	100KHz
KCPIRI0402C-680MT	68	40	0.290	0.40	100KHz
KCPIRI0402C-101MT	100	40	0.480	0.30	100KHz
KCPIRI0402C-151MT	150	40	0.590	0.26	100KHz
KCPIRI0402C-221MT	220	40	0.770	0.22	100KHz
KCPIRI0402C-331MT	330	40	1.400	0.20	100KHz

KCPIRI0402C-471MT	470	40	1.800	0.19	100KHz
KCPIRI0402C-681MT	680	40	2.200	0.18	100KHz
KCPIRI0402C-102MT	1000	40	3.400	0.15	100KHz
KCPIRI0402C-152MT	1500	50	4.200	0.12	100KHz
KCPIRI0402C-222MT	2200	50	8.500	0.1	100KHz
KCPIRI0402C-332MT	3300	50	11.000	0.08	100KHz
KCPIRI0402C-472MT	4700	50	13.900	0.06	100KHz
KCPIRI0402C-682MT	6800	50	25.000	0.04	100KHz
KCPIRI0402C-103MT	10000	50	32.800	0.02	100KHz

KCPIRI0802 TYPE

P/N	INDUCTANCE (uH)	DCR(O) (max)	IDC(A) (max)	TEST FREQ
KCPIRI0802-100MT	10.0	0.11	2.400	100KHz
KCPIRI0802-150MT	15	0.150	2.00	100KHz
KCPIRI0802-220MT	22	0.230	1.60	100KHz
KCPIRI0802-330MT	33	0.300	1.40	100KHz
KCPIRI0802-470MT	47	0.390	1.00	100KHz
KCPIRI0802-680MT	68	0.660	0.90	100KHz
KCPIRI0802-101MT	100	0.840	0.70	100KHz
KCPIRI0802-151MT	150	1.200	0.60	100KHz
KCPIRI0802-221MT	220	1.900	0.50	100KHz
KCPIRI0802-331MT	330	2.700	0.40	100KHz
KCPIRI0802-471MT	470	4.000	0.30	100KHz
KCPIRI0802-681MT	680	5.300	0.20	100KHz
KCPIRI0802-102MT	1000	8.400	0.10	100KHz

KCPIRI0804 TYPE

P/N	INDUCTANCE(uH)	DCR(O) (max)	IDC(A) (max)	SRF(MHz) (min)	TEST FREQ
KCPIRI0804-1R0MT	1.0	0.009	9.00	100.00	100KHz
KCPIRI0804-1R5MT	1.5	0.010	8.00	90.00	100KHz
KCPIRI0804-2R2MT	2.2	0.012	7.00	80.00	100KHz
KCPIRI0804-3R3MT	3.3	0.015	6.40	65.00	100KHz
KCPIRI0804-4R7MT	4.7	0.018	5.40	45.00	100KHz
KCPIRI0804-6R8MT	6.8	0.027	4.60	38.00	100KHz
KCPIRI0804-100MT	10	0.038	3.80	30.00	100KHz
KCPIRI0804-150MT	15	0.046	3.00	27.00	100KHz
KCPIRI0804-220MT	22	0.085	2.60	19.00	100KHz
KCPIRI0804-330MT	33	0.100	2.00	15.00	100KHz
KCPIRI0804-470MT	47	0.140	1.60	12.00	100KHz
KCPIRI0804-680MT	68	0.200	1.40	10.00	100KHz
KCPIRI0804-101MT	100	0.280	1.20	9.00	100KHz
KCPIRI0804-151MT	150	0.400	1.00	6.00	100KHz
KCPIRI0804-221MT	220	0.610	0.80	5.00	100KHz
KCPIRI0804-331MT	330	1.020	0.60	4.50	100KHz
KCPIRI0804-471MT	470	1.270	0.50	3.50	100KHz
KCPIRI0804-681MT	680	2.020	0.40	2.50	100KHz
KCPIRI0804-102MT	1000	3.000	0.30	2.00	100KHz

KCPIRI0804C TYPE

P/N	INDUCTANCE (uH)	DCR(O) (max)	IDC(A) (max)	SRF(MHz) (min)	TEST FREQ
KCPIRI0804C-1R0MT	1.0	0.021	5.60	140.00	100KHz
KCPIRI0804C-1R5MT	1.5	0.022	5.20	120.00	100KHz
KCPIRI0804C-2R2MT	2.2	0.032	5.00	80.00	100KHz
KCPIRI0804C-3R3MT	3.3	0.039	3.90	70.00	100KHz
KCPIRI0804C-4R7MT	4.7	0.054	3.20	40.00	100KHz
KCPIRI0804C-6R8MT	6.8	0.075	2.80	38.00	100KHz
KCPIRI0804C-100MT	10	0.101	2.40	35.00	100KHz
KCPIRI0804C-150MT	15	0.150	2.00	25.00	100KHz
KCPIRI0804C-220MT	22	0.207	1.60	19.00	100KHz
KCPIRI0804C-330MT	33	0.334	1.40	15.00	100KHz
KCPIRI0804C-470MT	47	0.472	1.00	13.00	100KHz

KCPRI0810 TYPE

P/N	INDUCTANCE (uH)	DCR(O) (max)	IDC(A) (max)	SRF(MHz) (min)	TEST FREQ
KCPRI0810-100MT	10	0.040	8.00	22.00	100KHz
KCPRI0810-150MT	15	0.050	7.00	18.00	100KHz
KCPRI0810-220MT	22	0.066	5.50	11.00	100KHz
KCPRI0810-330MT	33	0.080	4.00	9.00	100KHz
KCPRI0810-470MT	47	0.110	3.80	8.00	100KHz
KCPRI0810-680MT	68	0.170	3.00	7.00	100KHz
KCPRI0810-101MT	100	0.220	2.50	5.00	100KHz
KCPRI0810-151MT	150	0.340	2.00	4.00	100KHz
KCPRI0810-221MT	220	0.440	1.60	3.50	100KHz
KCPRI0810-331MT	330	0.700	1.20	2.50	100KHz
KCPRI0810-471MT	470	0.950	1.00	2.00	100KHz
KCPRI0810-681MT	680	1.200	1.00	2.00	100KHz
KCPRI0810-102MT	1000	2.000	0.80	1.50	100KHz

KCPRI1206 TYPE

P/N	INDUCTANCE (uH)	DCR(O) (max)	IDC(A) (max)	SRF(MHz) (min)	TEST FREQ
KCPRI1206-1R0MT	1.0	0.009	20.00	80.00	100KHz
KCPRI1206-2R2MT	2.2	0.014	16.00	80.00	100KHz
KCPRI1206-3R3MT	3.3	0.018	14.00	60.00	100KHz
KCPRI1206-5R6MT	5.6	0.020	12.00	40.00	100KHz
KCPRI1206-100MT	10	0.031	10.00	30.00	100KHz
KCPRI1206-150MT	15	0.036	8.00	22.00	100KHz
KCPRI1206-220MT	22	0.047	7.00	20.00	100KHz
KCPRI1206-330MT	33	0.066	5.50	15.00	100KHz
KCPRI1206-470MT	47	0.086	4.50	9.00	100KHz
KCPRI1206-680MT	68	0.130	3.50	8.00	100KHz
KCPRI1206-101MT	100	0.190	3.00	7.00	100KHz
KCPRI1206-151MT	150	0.250	2.60	6.00	100KHz
KCPRI1206-221MT	220	0.380	2.40	5.00	100KHz
KCPRI1206-331MT	330	0.560	1.90	4.00	100KHz
KCPRI1206-471MT	470	0.850	1.40	3.00	100KHz
KCPRI1206-681MT	680	1.100	1.20	2.50	100KHz
KCPRI1206-102MT	1000	1.800	1.00	2.00	100KHz

KCPRI1206C TYPE

P/N	INDUCTANCE (uH)	DCR(O) (max)	IDC(A) (max)	SRF(MHz) (min)	TEST FREQ
KCPRI1206C-100MT	10	0.031	10.00	30.00	100KHz
KCPRI1206C-150MT	15	0.036	8.00	22.00	100KHz
KCPRI1206C-220MT	22	0.047	7.00	20.00	100KHz
KCPRI1206C-330MT	33	0.066	5.50	15.00	100KHz
KCPRI1206C-470MT	47	0.086	4.50	9.00	100KHz
KCPRI1206C-680MT	68	0.130	3.50	8.00	100KHz
KCPRI1206C-101MT	100	0.190	3.00	7.00	100KHz
KCPRI1206C-151MT	150	0.250	2.60	6.00	100KHz
KCPRI1206C-221MT	220	0.380	2.40	5.00	100KHz
KCPRI1206C-331MT	330	0.560	1.90	4.00	100KHz
KCPRI1206C-471MT	470	0.850	1.40	3.00	100KHz
KCPRI1206C-681MT	680	1.100	1.20	2.50	100KHz
KCPRI1206C-102MT	1000	1.800	1.00	2.00	100KHz